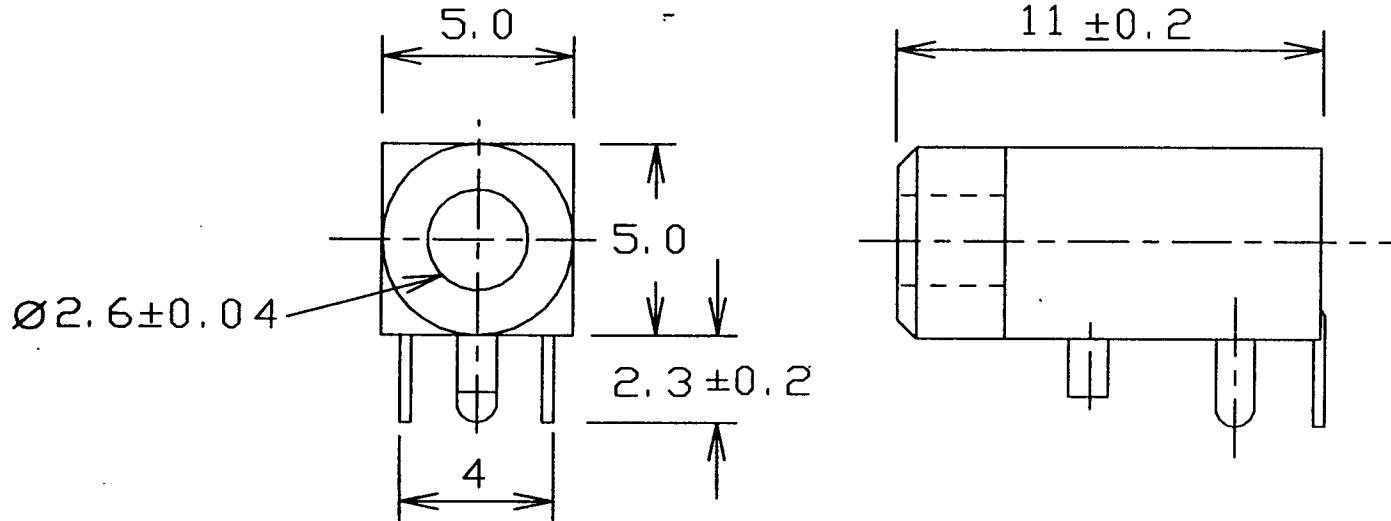
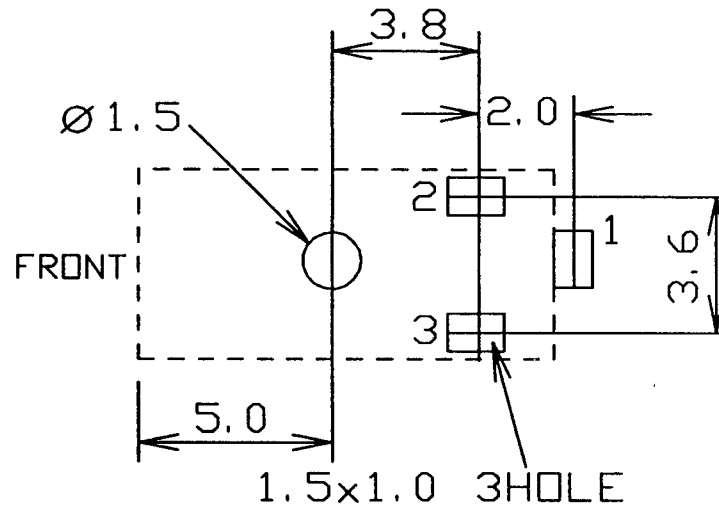
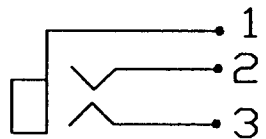


CLIFF

No.	AMEND	DATE
1.	REDRAWN	23/3/90
2.	LAYOUT AMENDED	2/2/95



SCHEMATIC



TOLERANCE

NO DEC. PLACE \pm

1 DEC PLACE \pm 0.15

2 DEC PLACE \pm

DIA OF HOLE \pm

ANGLES \pm

UNLESS OTHERWISE STATED

WHERE USED F.R.

SCALE N.T.S.

DIMENSIONS IN MILLIMETRES UNLESS OTHERWISE STATED. WORK TO DIMENSIONS. DO NOT SCALE DRAWING. 3rd.ANGLE PROJECTION. REMOVE BURRS.

Cliff Electronic Components, Inc. 4876 East Second Street, Benicia, CA 94510 USA Tel: (707) 746 8090 Fax: (707) 746 8092	MATERIAL ABS/BRASS		TITLE 2.5mm PC JACK SOCKET JY029	
	JY2505 - 01 - 010		DRG. No. FC 68102	
	FINISH AS MOULDED / Ag PLATED		A 4 D R W G H	
	DRAWN C.A.M.T.	APPD R.W.T.		