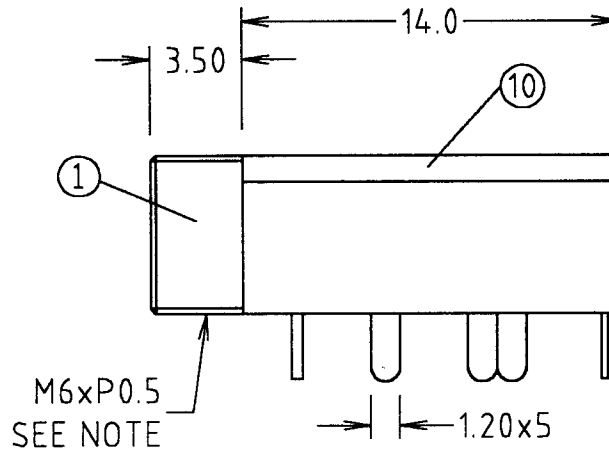
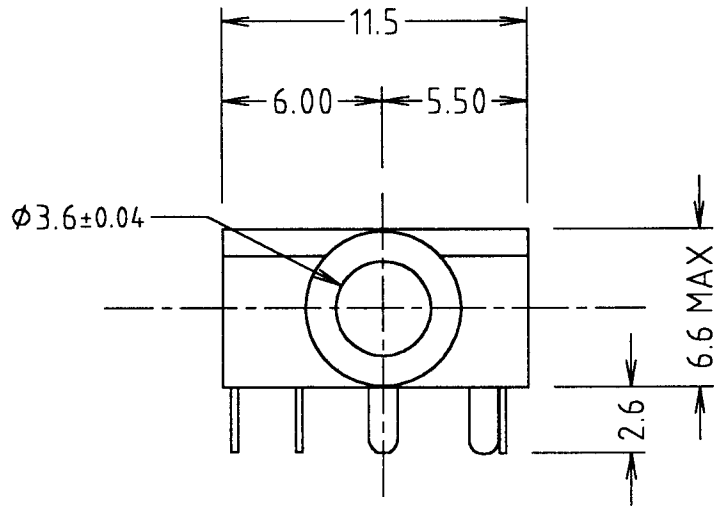
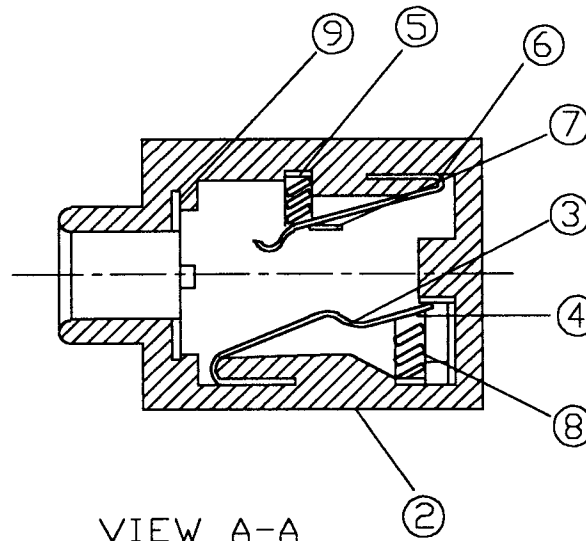


ISS	AMEND	DATE
1	REDRAWN	8/12/89
2	ERROR CORRECT	27/6/90
3	FT6321 ADDED	26/3/99

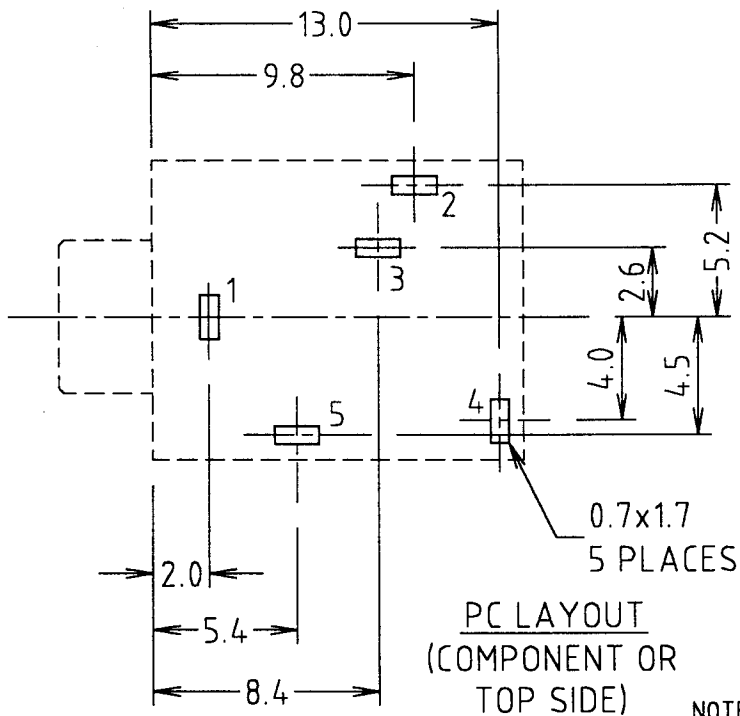


M6xP0.5
SEE NOTE



VIEW A-A

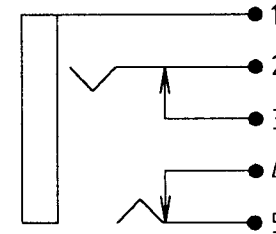
ITEM	PART NAME	QTY	MATERIAL	FINISH
1	METAL BUSH	1	BsBm Ø6	Ni-3µ
2	HOUSING	1	PBT UL94-V0	
3	CONTACT 5	1	PBR2-H025t	Ag
4	CONTACT 4	1	BsR2-H03t	Ag
5	SPRING B	1	SWRS	
6	CONTACT 2	1	BsR2-H03t	Ag
7	CONTACT 3	1	BsR2-H03t	Ag
8	SPRING A	1	SWRS	
9	EARTH TERM 1	1	BsR2-H04t	Ag
10	COVER	1	PC UL94V2	



PC LAYOUT
(COMPONENT OR
TOP SIDE)

NOTE: PLAIN BUSH VERSION HAS Ø6.0

SCHEMATIC



VARIANTS

P/No.	MODEL
FT 6320	JYS35
FT 6321	JYS35 (PLAIN BUSH)

Tolerance
 NO DEC. PLACE ± 0.50
 1 DEC. PLACE ± 0.20
 2 DEC. PLACE ± 0.10
 DIA. HOLES ± 0.10
 ANGLES ± 1/2°
 UNLESS
 OTHERWISE STATED

WHERE USED F.R.

SCALE N.T.S.

DIMENSIONS IN MILLIMETERS UNLESS OTHERWISE STATED. WORK TO DIMENSIONS. DO NOT SCALE DRAWING. 3rd ANGLE PROJECTION. REMOVE BURRS. IF IN DOUBT ASK.

Cliff Electronic Components, Inc.
 4876 East Second Street, Benicia, CA 94510 USA
 Tel: (707) 746 8090 Fax: (707) 746 8092

MATERIAL COMPOSITE SEE TABLE

FINISH AS TABLE

DRAWN C.A.M.J.

APPD. RWT

TITLE 3.5mm STEREO JACK SOCKET JYS35

DRWG. No. FT 6320

FORM: A4DRWGH